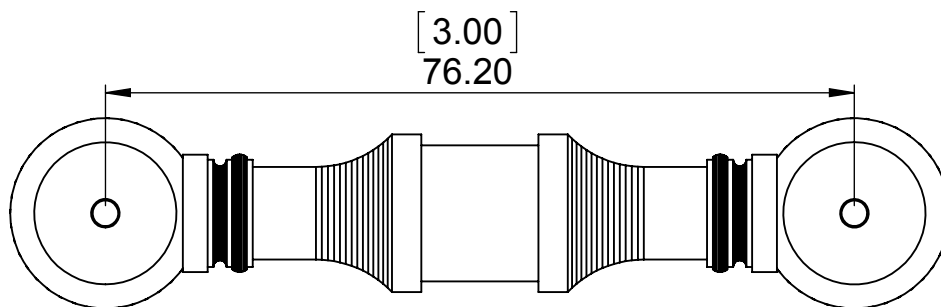


INSTALLATION INSTRUCTIONS

Step 1: Drill holes for the desired location.

Determine your desired location for installation and make a mark for the location. Make 2 marks where mounting screws will be placed as shown below. Drill hole at each of the marks.



Step 2: Pull Mounting

Place Pull to the desired location and screw from behind.

SURFACE MOUNTED

